

BILLO™ 3-DIMENSIONAL PANELS



Billo 3-Dimensional Panels, White Translucent and White Opaque/
Donn Centricitee DXT Suspension System, Flat White

FEATURES AND BENEFITS

- Three-dimensional curved panels punctuate flat ceiling planes with rhythm and depth.
- 2'x2' pre-formed polycarbonate panels create myriad patterns with just one simple panel shape.
- Lightweight, lay-in panels install into 9/16" narrow-profile Donn® brand suspension systems, allowing full ceiling accessibility.
- Luminous panels may be backlit with fluorescent strip fixtures or integrated with standard lay-in fixtures.

APPLICATIONS

- All interior commercial applications



Whites



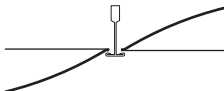
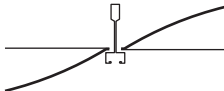
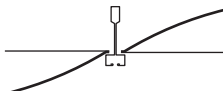
PRODUCT INFORMATION

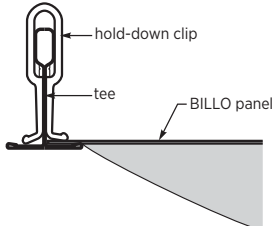
Materials	Size and Weight	Module Size	Code Approval
Panels: Preformed polycarbonate Suspension System: All 2'x2' Donn® 9/16" Centricitee™ DXT™ and Fineline® DXF™/DXFF™ profiles. Panels to fit the 2'x2' 15/16" DX"/DXL™ suspension system are available as a special order.	Panels: 2'x2' Weight: 0.25 lbs./sq. ft.	Full 2'x2' modules only	Billo™ infill panels meet Class B requirements for flame spread and smoke developed as defined by ASTM E1264, NFPA and IBC (UBC) as tested in accordance with ASTM E 84.

FINISHES

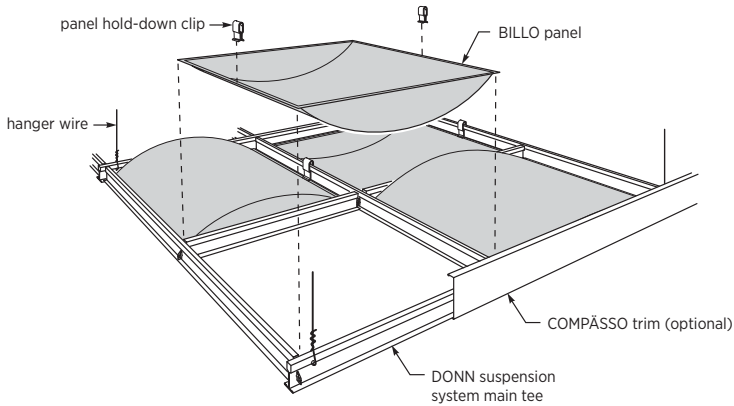
Panel Color	Panel Light Transmission	Suspension System Coordinating Colors
White Translucent	26%	Flat White
White Opaque	8%	Flat White

EDGE DETAILS

Billo Panels with 9/16" Centricitee DXT Suspension	Billo Panels with 9/16" Fineline DXF Suspension	Billo Panels with 9/16" Fineline 1/8 DXFF Suspension
		

Panel Hold-Down Clip		
Supplied with 9/16" Down panels		

ASSEMBLY

View from Above	
	

FOR MORE INFORMATION

Product literature
System brochure: IC472
Data sheet: IC473

Online tools
Visit usgdesignstudio.com for details and 3-D models.

Recycled content
Whites: 0% recycled content